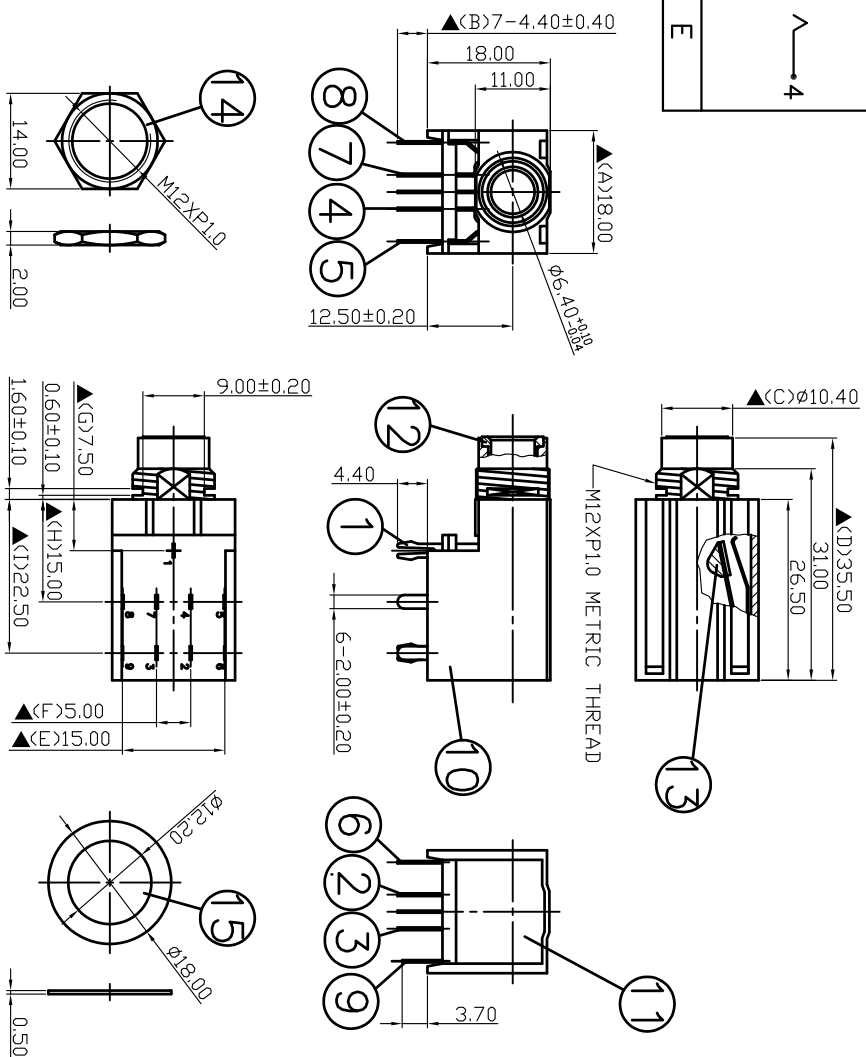


15.	Washer	0.5T Steel	1	Nickel Plated
14.	Nut	2.0T Steel	1	Nickel Plated
13.	Insulator	POM	2	Black Color
12.	Bushing	Brass	1	Nickel Plated
11.	Cover	POM	1	Black Color
10.	Housing	PBT	1	Black Color
9.	Make Terminal	0.2T Phosphor Bronze	1	Silver Plated
8.	Break Terminal	0.35T Phosphor Bronze	1	Silver Plated
7.	Transfer Terminal	0.4T Brass	1	Silver Plated
6.	Make Terminal	0.2T Phosphor Bronze	1	Silver Plated
5.	Break Terminal	0.35T Phosphor Bronze	1	Silver Plated
4.	Transfer Terminal	0.4T Brass	1	Silver Plated
3.	Ring Spring	0.3T Phosphor Bronze	1	Silver Plated
2.	Tip Spring	0.3T Phosphor Bronze	1	Silver Plated
1.	Earth Terminal	0.3T Phosphor Bronze	1	Silver Plated
NO.	Description	Material	Q'TY	Finish



大廣有限公司 DA KOANG CO., LTD.

DATE	DWN	CHKD	APVD	MANAGER
10.12.2011				

PART NAME : 6.3 ϕ PHONE JACK PART NUMBER: DK1801 SERIES

TOLERANCE : ±0.3mm UNLESS OTHERWISE SPECIFIED

VERSION: 4.0
SCALE: 1/1

RoHS Compliant
For Reference 僅供參考

SPECIFICATIONS:
Insulation Resistance : 30M Ω max
Contact Resistance : 100M Ω min. at DC 500V
Dielectric Withstanding Voltage: AC 500V for one minute
Remark: ▲ : The Most Important Dimension