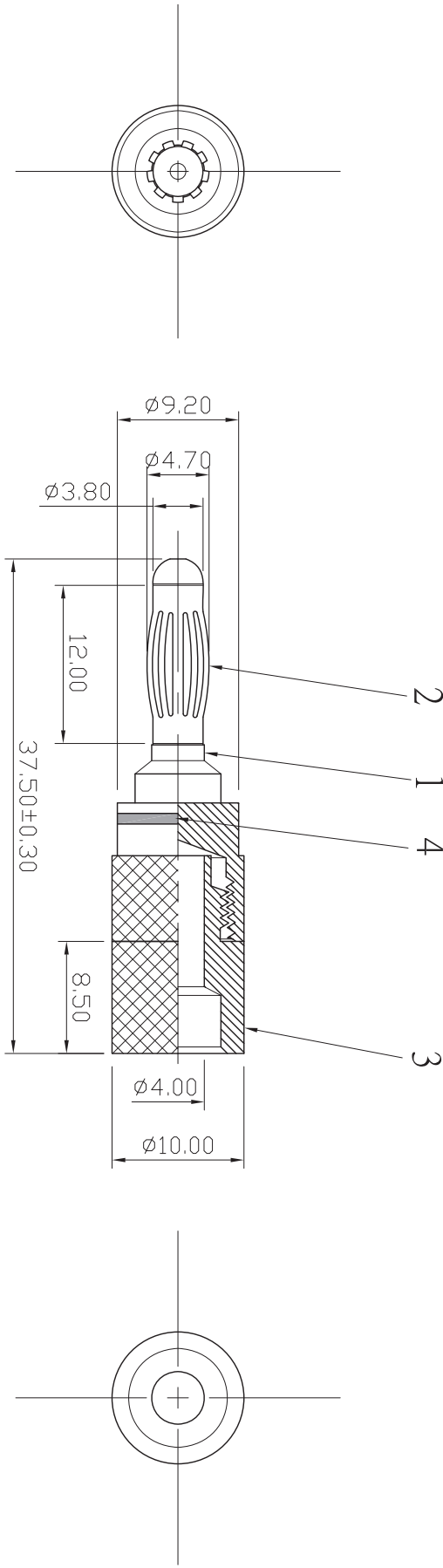


REMARK : RoHS REQUIREMENT APPLIED  
(符合RoHS)



S 1 : 1

7																			
6																			
5																			
4	color ring	1	painting																
3	head lock	1	brass																
2	contact pin	1	beryllium copper																
1	body	1	brass																
NO.	Description	Unit	Materials	Finish	Drawing No.	SCALE	2 : 1	UNIT	MM	APPROVED	DATE	2007. 12. 24	TITLE	大廣有限公司 DA KOANG CO., LTD.					
										DIMENSIONS ARE IN MILLIMETERS									
										UNLESS OTHERWISE SPECIFIED TOLERANCES (一般公差)									
										0.5-6 = ±0.1									
										>6-30 = ±0.15									
										>30-120 = ±0.2									
										>120-315 = ±0.3									
										>315-1000 = ±0.4									
										ANGLES(角度) = ±3°									
										CHECKED									
										DRAWN									
										Tina									
										DRAWING NO.									
										1003 SCREW TYPE									
										FILE NO. DRAWING(AUD)01BPPBP-124G(B&C-D)-BE/BK/RD/GN/YW/WTE-4.0									