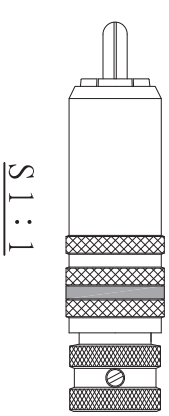
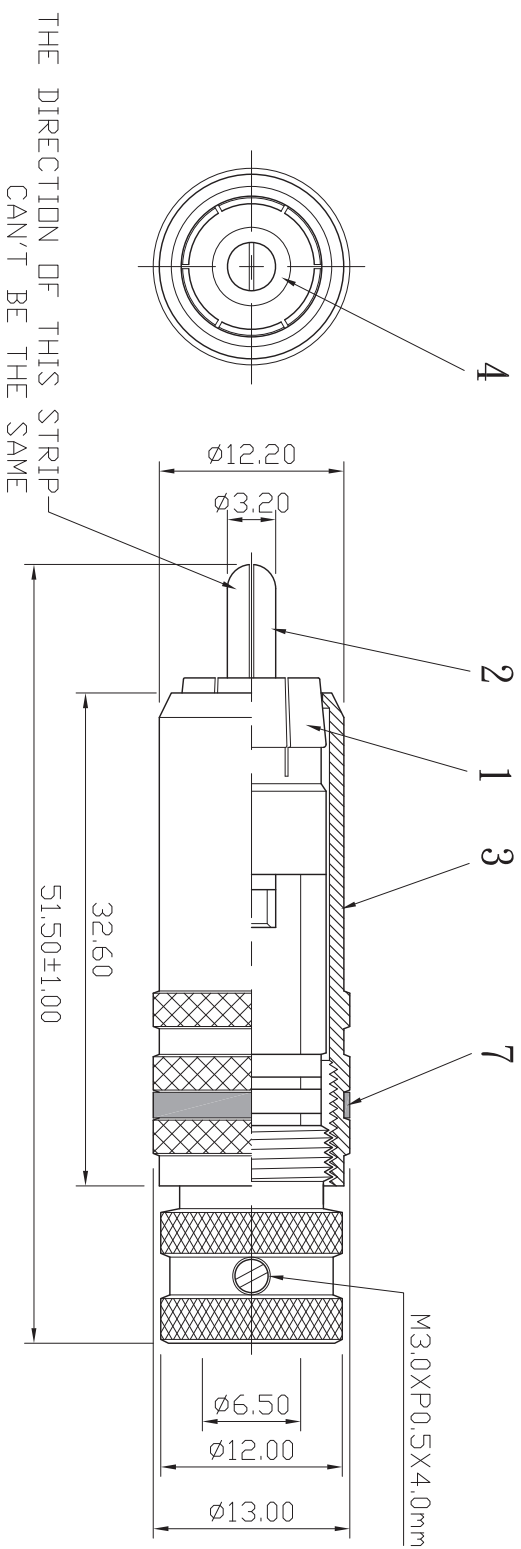


REMARK : RoHS REQUIREMENT APPLIED
(符合RoHS)



7	color ring	1	pvc	red/black/white		DIMENSIONS ARE IN MILLIMETERS UNLESS OTHERWISE SPECIFIED TOLERANCES (一般公差) 0.5~6 = ±0.2 >6~30 = ±0.4 >30~120 = ±0.6 >120~315 = ±1 >315~1000 = ±1.6 ANGLES(角度) = 45°	APPROVED CHECKED DRAWN <i>Calá</i> DATE 2007. 12. 17	大 廣 有 限 公 司 DA KOANG CO., LTD. TITLE RCA PLUG DRAWING NO. 1040					
6	sleeve	1	pvc	white									
5	screw	1	brass	gold	SCREW-103G-M3XP0.5X4.0mm								
4	insulator	1	teflon	white									
3	shell	1	brass	zinc alloy									
2	contact pin	1	brass	gold									
1	body	1	brass	gold									
NO.	Description	Unit	Materials	Finish	Drawing No.	SCALE	2 : 1	UNIT	MM	DATE	2007. 12. 17	FILE NO.	DRAWING\AUDIO\KPRP-1007ZAG-TIF-A-RD\BK\WE-6.5