

A

B

C

D

E

1

1

2

2

3

3

4

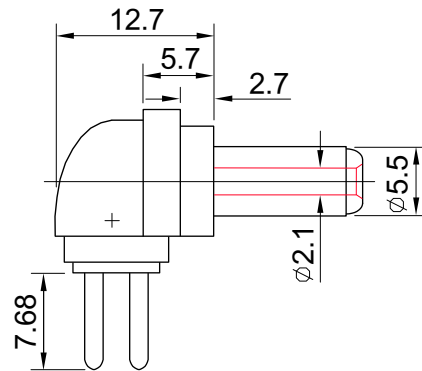
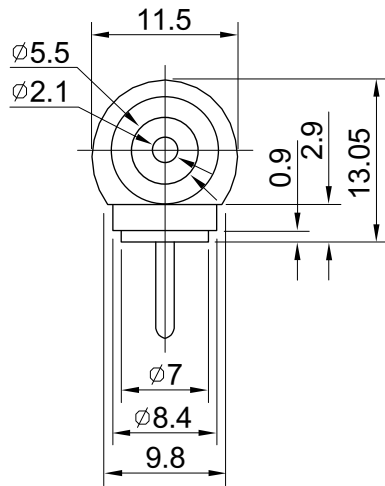
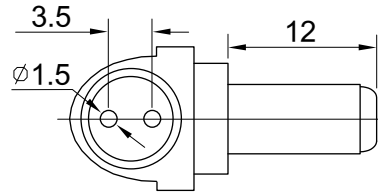
4

5

5

6

6



大廣有限公司 DA KOANG CO., LTD.

DATE

DWN

CHKD

APVD

MANAGER

12.08.2005

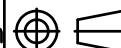
PART NAME: RIGHT ANGLE 2.1x5.5mm DC PLUG

PART NUMBER: 1405C

VERSION:2.0

TOLERANCE : ± 0.3 mm UNLESS OTHERWISE SPECIFIED

UNIT:mm



SCALE:

A

B

C

D

E

7

7