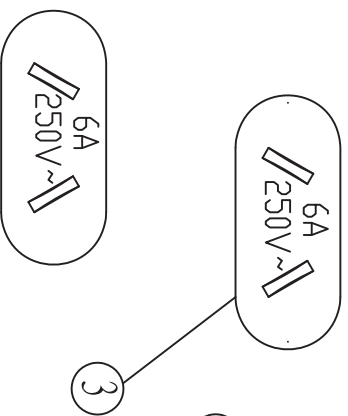
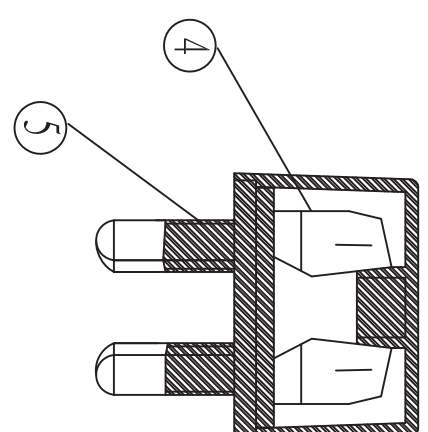
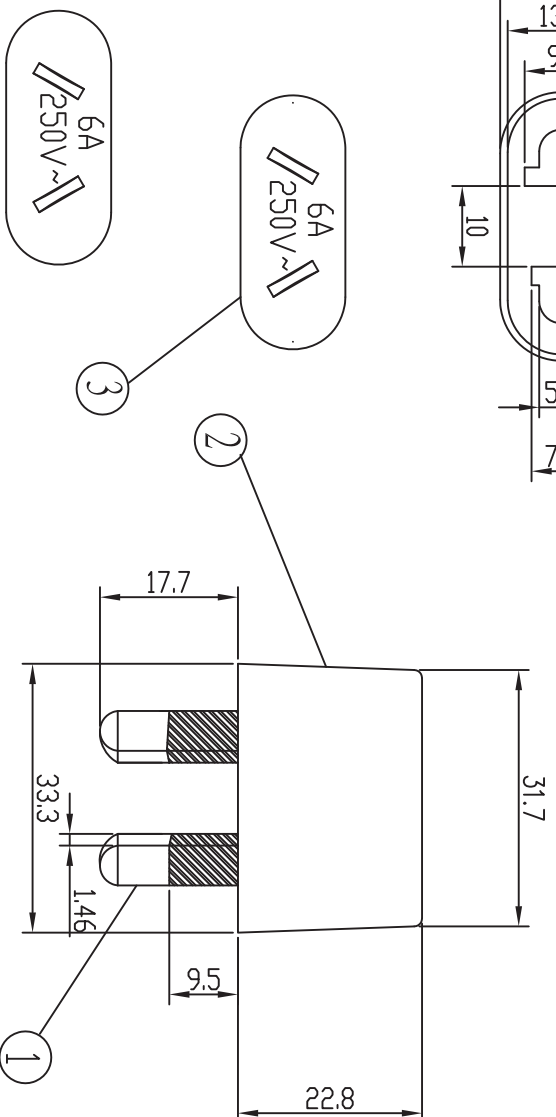
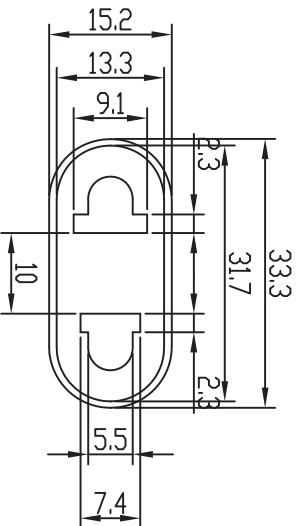


SPECIFICATION:
CONTACT RATING: 6A 250VAC, 10A 125VAC
INSULATION RESISTANCE: 500V d.c. for 1 min.
ELECTRIC STRENGTH: 2000V a.c. for 1 min.



3

2

1

4

5

NO	DESCRIPTION	MATERIAL	QTY	SGS REPORT NO.
1	PN	BRONZE, NICKEL	2	
2	HOUSING	ABS777B	1	
3	GROUND	ABS777B	1	
4	CONTACT	C2680 BRONZE, NICKEL	2	
5	INSULATION	ABS777B	2	

Cr+6 < 1000ppm
Cd < 100ppm
Hg < 1000ppm
Pb < 1000ppm
PBBS < 1000ppm
PBBS < 1000ppm
PBBS < 1000ppm

TOLERANCES
0.5MM-5MM=±0.2MM
5MM-30MM=±0.4MM
30MM-120MM=±0.6MM
120MM-315MM=±1.0MM
315MM-1000MM=±1.6MM
1000MM-2000MM=±2.4MM

修正日期	修正說明	核准日期	核准 By	設計	繪圖	單位
		15 AUG 2012	J.F. WANG	C.T WANG	C.J HUANG	m/m

大廣有限公司	11334	REF. NO.
DA KOANG CO., LTD.	AUSTRALIAN TYPE	
	ADAPTOR PLUG, 6A 250V	