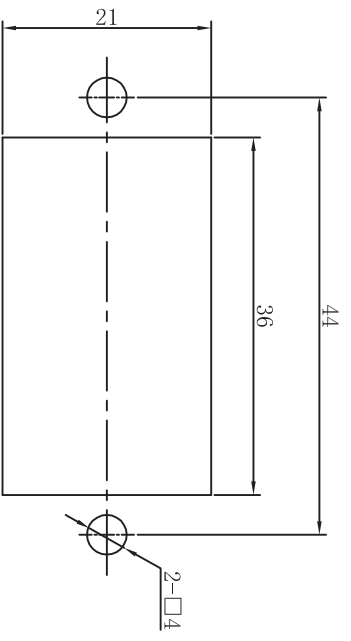
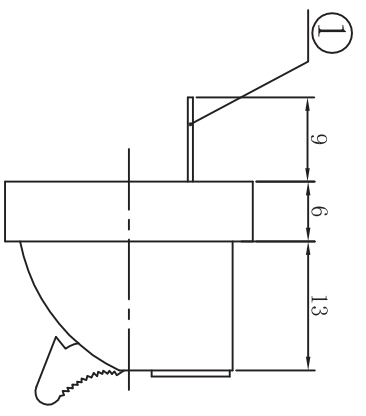
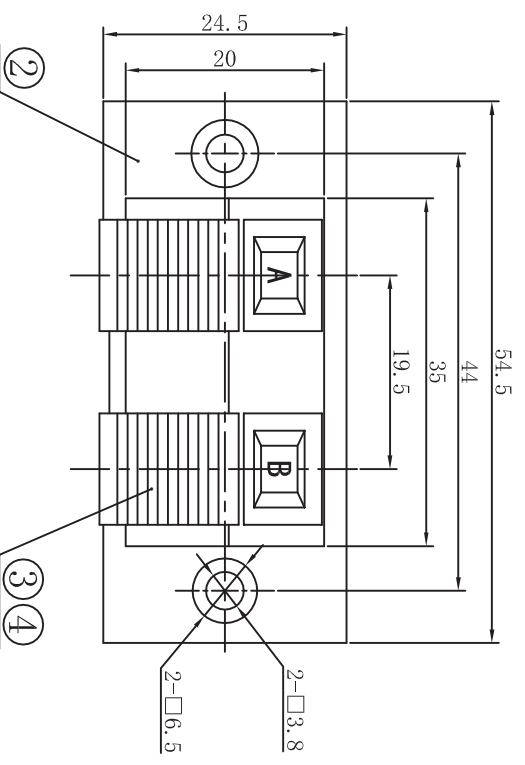


COLOR TYPE		TYPE	
红R:	RED	白W:	WHITE
黑B:	BLACK	黄Y:	YELLOW
灰G:	GREY	蓝BL:	BLUE
绿GR:	GREEN	棕BR:	BROWN
紫PU:	PURPLE	粉PK:	PINK
橙O:	ORANGE		
	品号	A	B
	040	B	R



PCB Holes Diagram

环保
Green Product

REVISIONS	EXCHANGE DESCRIPTION	DATE	REVISED	APVD	UNLESS TOLERANCE	Angle
Δ X						63 < L
Δ X						16 < L ≤ 63
Δ X						4 < L ≤ 16
REMARK						L ≤ 4

NO.	PART NAME	TER. NO.	QTY	MATERIAL	REMARK
4	PUSH		2	ABS 757	See Color Type
3	SPRING		2	STEBL WHITE □0.6	Black
2	HOUSING		1	ABS 757	Black
1	TERMINAL		2	H62Y □0.5	Cash-plated

DSND	H. S. S	DATE	2008. 11. 22	SCAL: 1:1	NAME:
CHKD	H. L. Q	DATE <td>2008. 11. 22</td> <td>VIEW: </td> <td>PST JACK</td>	2008. 11. 22	VIEW:	PST JACK
APVD	H. L. Q	DATE <td>2008. 11. 22</td> <td>UNIT: mm</td> <td>CNT. NO: 3098</td>	2008. 11. 22	UNIT: mm	CNT. NO: 3098

大 廣 有 限 公 司 DA KOANG CO., LTD.

DWG. NO. 0/02-00-4011-05-210-AXX

REVISED B/0