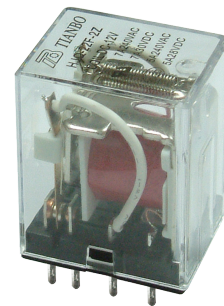


## FEATURES

- High performance power relay
- PCB terminal and solder lug terminal and flanged case are available
- LED version is available
- UL, CUL, TUV, and CE approved
- Using at control equipment, vending machines, cooking appliances, office machine, domestic appliances, etc.



UL FILE NO.: E131959  
 CUL FILE NO.: E131959  
 TUV FILE NO.: R09956267

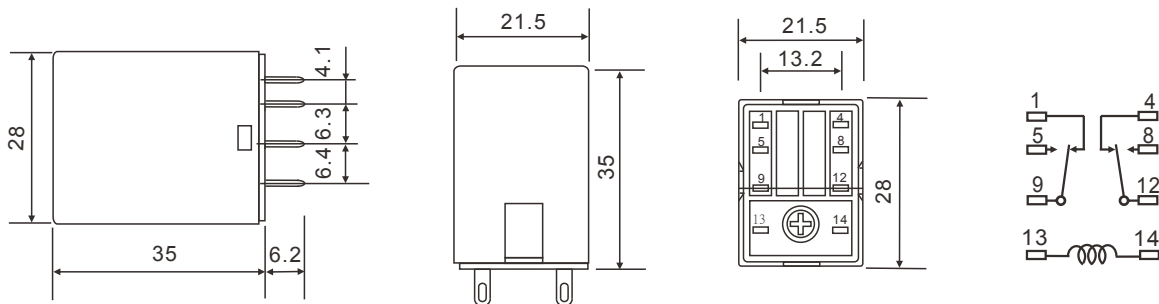
## COIL DATA(at 25°C)

	AC 1.2VA				DC 0.9-1.1W				
	Coil Nominal Voltage (50/60Hz)	Resistance Tol.±10% (Ohms)	Maximum Pick Up Voltage (V)	Minimum Drop Out Voltage (V)	Coil Nominal Voltage (VDC)	Resistance Tol.±10% (Ohms)	Nominal Current (mA)	Maximum Pick Up Voltage (V)	Minimum Drop Out Voltage (V)
3335A	12	45	9.6	3.6	12	160	75	9.0	1.2
3335B	24	160	19.2	7.2	24	650	37	18.0	2.4
3335C	100/110	3,900	88.0	33.0	100/110	11,000	9	82.5	11.0
3335D	220/240	16,000	176.0	66.0					

## CONTACT RATING

3335A~D TYPE	Resistive (Cos.θ = 1)	AC 240V / DC 30V	10A	UL
		AC 240V / DC 24V	10A	TUV
	Inductive (Cos.θ = 0.4)	AC 240V	5A	TUV

## DIMENSIONS(±0.2mm)



## GENERAL DATA

Insulation Resistance	1,500 MΩ Min. (DC 500V)
Dielectric Strength	750 VAC, 50/60Hz between contact.
	1,500 VAC, 50/60Hz between all elements.
Contact Material	Agcdo Alloy.
Contact Resistance	100 milliohms max. ( initial value )
Shock Resistance	Malfunction: 10G(11ms) ; Destructive: 100G(6ms)
Vibration Resistance	Malfunction: 10 to 55 Hz. at Double Amplitude of 1.5 mm
	Destructive: 10 to 55 Hz. at Double Amplitude of 1.5 mm
Operation Time	15 ms max.
Release Time	15 ms max.
Temperature Range	- 40°C ~ + 60°C
Expected Life	With operation rate 30/min.
	Mechanical - 10,000,000 operations min.
	Electrical - 100,000 operations min. at rated load.
Weight	37 grams