

大 廣 有 限 公 司 DA KOANG CO., LTD.

FEATURES

- 30A switching use relay at ambient temperature of 85°
- Solder lug (quick connect) and PCB terminals are available for customer's selection.
- Contact form: 1 form C, 1 Form B, 1 Form A, and 2 Form A
- Using at automotives, direct connection with cell motors, transmission, and anti-locking braking system.



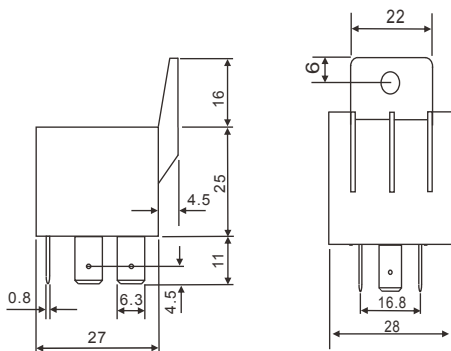
CONTACT RATING

1 Form C	Resistive (Cos.θ = 1)	DC 14V	40A/30A
----------	-----------------------	--------	---------

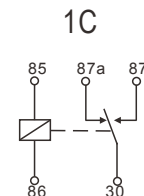
COIL DATA(1.8W, at 25°C)

Coil Nominal Voltage (VDC)	Resistance Tol.±10% (Ohms)	Nominal Current (mA)	Maximum Pick Up Voltage (V)	Minimum Drop Out Voltage (V)
3337-1 24V	320	75	16.8	2.4

DIMENSIONS(±0.2mm)



WIRING DIAGRAM (BOTTOM VIEW)



GENERAL DATA

Insulation Resistance	50 MΩ Min. (DC 500V)
Dielectric Strength	500 VAC, 50/60Hz between contact.
	1,000 VAC, 50/60Hz between all elements.
Contact Material	Ag Alloy.
Contact Resistance	100 milliohms max. (initial value)
Shock Resistance	Malfunction: 10G(11ms) ; Destructive: 100G(6ms)
Vibration Resistance	Malfunction: 10 to 55 Hz. at Double Amplitude of 1.5 mm
	Destructive: 10 to 55 Hz. at Double Amplitude of 1.5 mm
Operation Time	10 ms max.
Release Time	10 ms max.
Temperature Range	- 40°C ~ + 85°C
Expected Life	With operation rate 30/min.
	Mechanical - 1,000,000 operations min.
	Electrical - 100,000 operations min. at rated load.
Weight	32 grams