

A

B

C

D

E

1

1

2

2

3

3

4

4

5

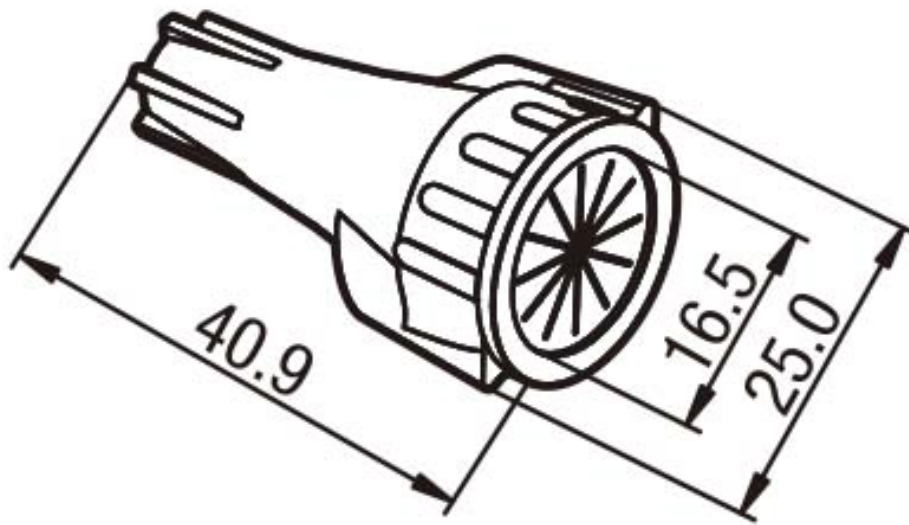
5

6

6

7

7



Electrical Ratings & Wire Range:

600V Max

105°C (221°F)

20-10 AWG, Cu

Max. 3 #12

Min. 2 #20

大廣有限公司 DA KOANG CO., LTD.

DATE

DWN

CHKD

APVD

MANAGER

12.08.2005

PART NAME: WATERPROOF WIRE CONNECTORS

PART NUMBER: 9368

VERSION: 2.0

TOLERANCE :±0.3mm UNLESS OTHERWISE SPECIFIED

UNIT:mm



SCALE:

A

B

C

D

E