

A

B

C

D

E

1

1

2

2

3

3

4

4

5

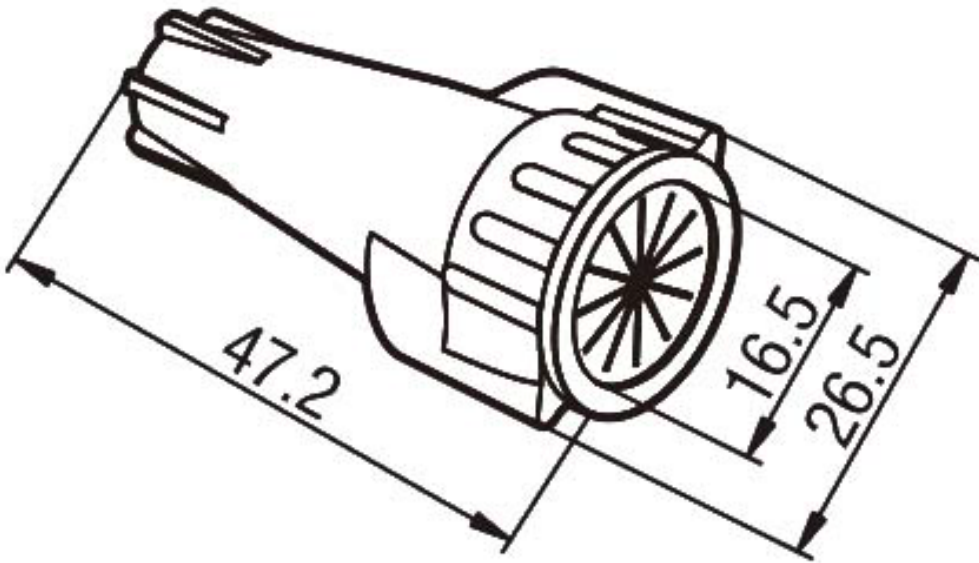
5

6

6

7

7



Electrical Ratings & Wire Range:

600V Max
 105°C (221°F)
 20-8 AWG, Cu
 Max. 4 #10
 Min. 3 #16

大廣有限公司 DA KOANG CO., LTD.

DATE	DWN	CHKD	APVD	MANAGER
------	-----	------	------	---------

12.08.2005

PART NAME: WATERPROOF WIRE CONNECTORS

PART NUMBER: 9369

VERSION: 2.0

TOLERANCE :±0.3mm UNLESS OTHERWISE SPECIFIED

UNIT:mm



SCALE:

A

B

C

D

E