

A | B | C | D | E

1

1

2

2

3

3

4

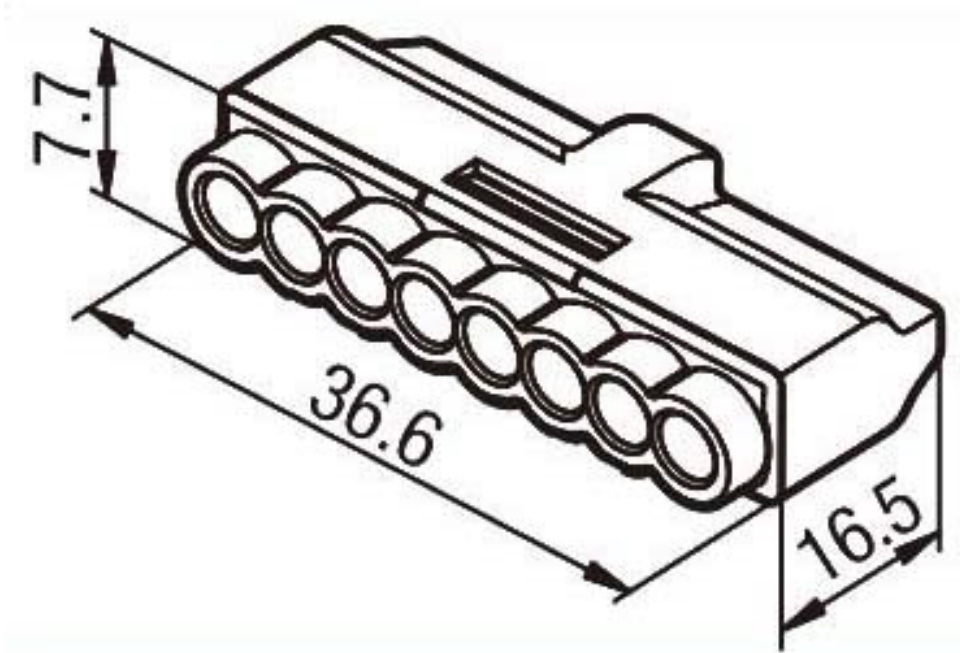
4

5

5

6

6



5

5

6

6

大廣有限公司 DA KOANG CO., LTD.

DATE

DWN

CHKD

APVD

MANAGER

12.08.2005

PART NAME: 8P PUSH-IN WIRE CONNECTORS

PART NUMBER: 9380

VERSION: 2.0

TOLERANCE : ±0.3mm UNLESS OTHERWISE SPECIFIED

UNIT: mm



SCALE:

A | B | C | D | E

7

7