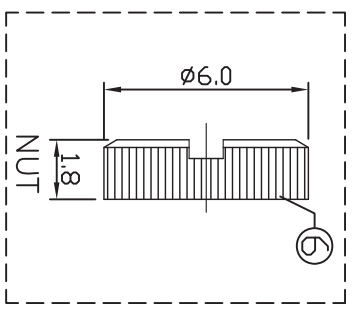
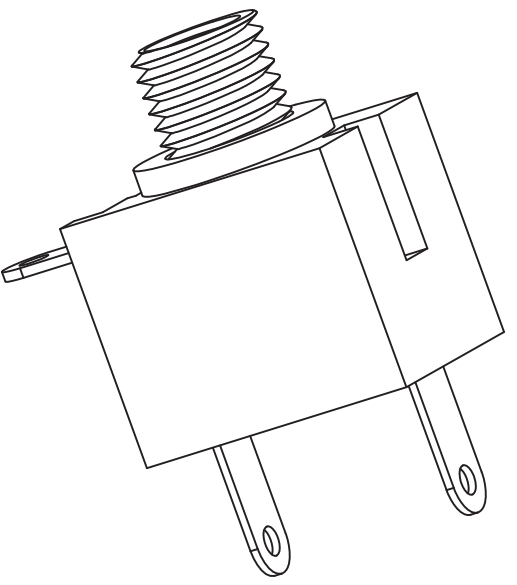
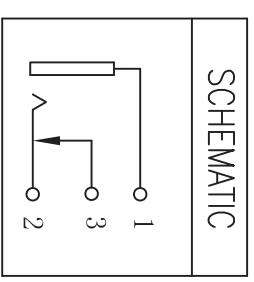
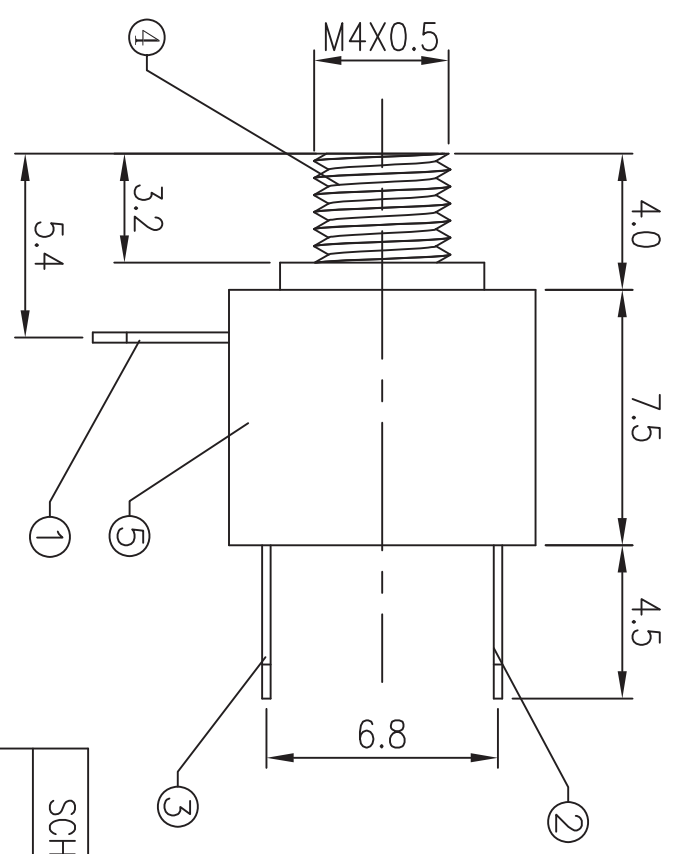
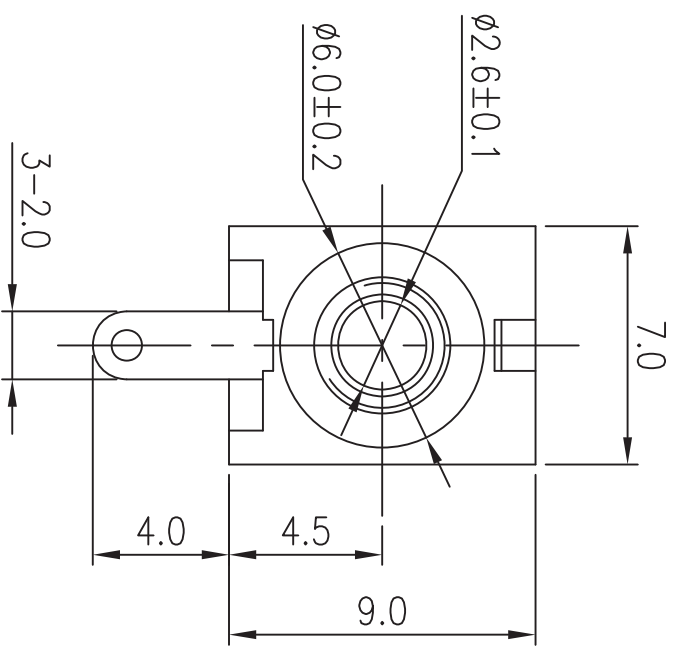


| * REVISIONS | | | | |
|-------------|-------------|------|---------|----------|
| LTR | DESCRIPTION | DATE | REVISED | APPROVED |
| | | | | |



LEAD FREE

| LTR | PART NAME | QTY | MATERIAL | REMARK |
|-----|--------------|-----|-------------------|----------------|
| 6 | NUT | 1 | H59(COPPER ALLOY) | Ni PLATED |
| 5 | HOUSING | 1 | PBT 4815 | UL-94V0(BLACK) |
| 4 | AXIS SUPPORT | 1 | H59(COPPER ALLOY) | Ni PLATED |
| 3 | CURVE PIECE | 1 | C2680 | Sn PLATED |
| 2 | SPRING PIECE | 1 | C5191 | Sn PLATED |
| 1 | FLAT PIECE | 1 | C2680 | Sn PLATED |

| DWN | DATE | 3RD ANGLE PROJECTION | NAME |
|------|------------|----------------------|----------------|
| LILY | 2013.04.10 | | MINIATURE JACK |
| ANDY | 2013.04.10 | | |
| JON | 2013.04.10 | | |

| | | | | | |
|------|------|----------|---------------|------------------|-----|
| APVD | DATE | UNIT: mm | CAT. NO. 2030 | DWN.NO. A-025-01 | 001 |
|------|------|----------|---------------|------------------|-----|

UNLESS OTHERWISE SPECIFIED, TOLERANCE ON DECIMAL: ±0.3

大廣有限公司 DA KOANG CO., LTD.