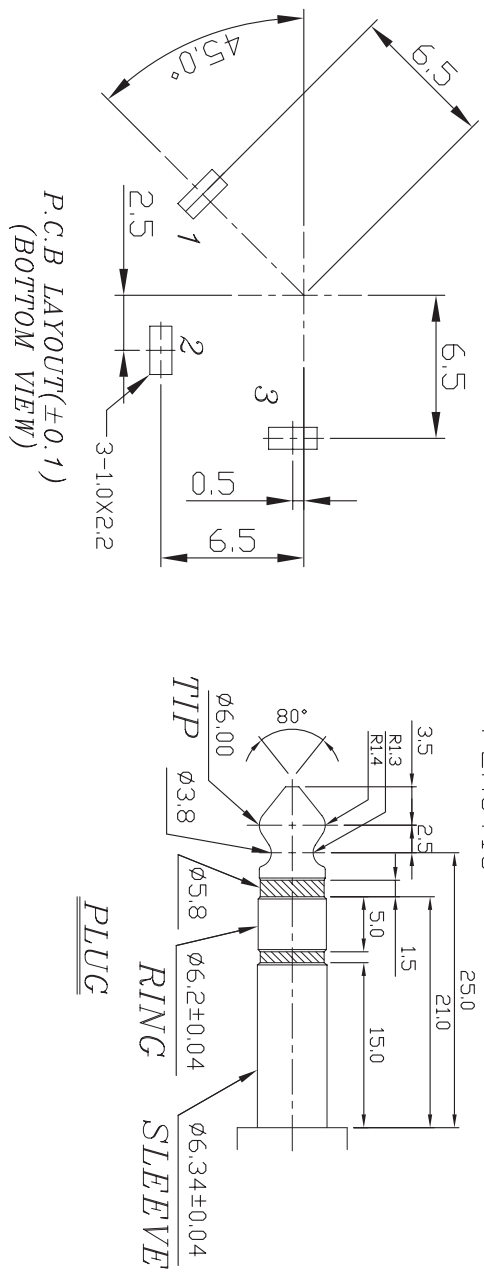
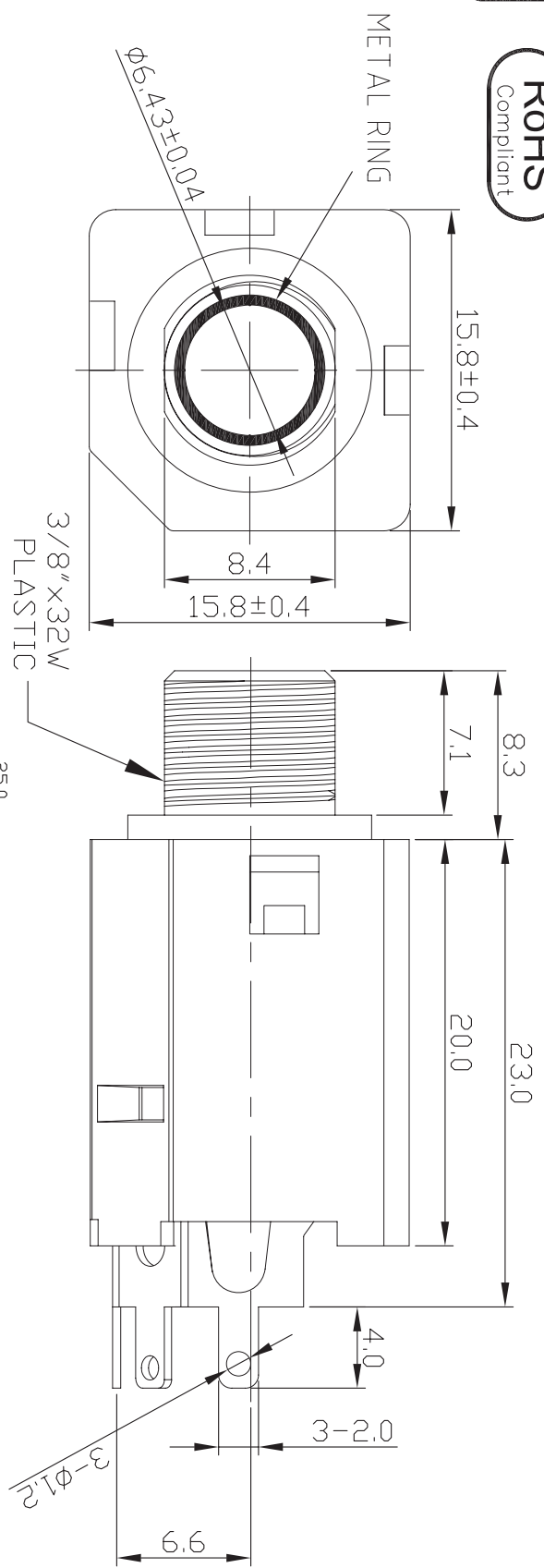


正式

RoHS Compliant

變更記號	變更日期	ECN NO.	REV.	說	明	繪圖者
△						



C: Nut specification

Code No.	C
Specification	Iron $3/8" \times 12.7 \times 2.4$ mm

D: Washer specification

Code No.	B
Specification	$10.1 \times 14 \times 0.45$ mm

F: Schematic:

UNLESS OTHERWISE SPECIFIED TOLERANCES

大廣有限公司 DA KOANG CO., LTD.

NO	PART NAME	Q'TY	MATERIAL	PLATING & COLOR	DECIMALS :	PART NAME	PART NO :	SCALE :	SIZE :	UNIT :	DRAWN DATE
5	HOUSING	1	P. B. T	BLACK	X	6.4mm PHONE JACK	2035A	3 : 1	A4	mm	2008. 10. 31
4	METAL RING	1	BRASS	Ni	X.X						Jacky
3	TIP	1	P. B. S	Ag	X.XX						Jacky
2	TIP SHUNT	1	BRASS	Ni/Ag							Jacky
1	SLEEVE	1	P. B. S	Ag	ANGLES :						Roy
					X°						
					X.X°						