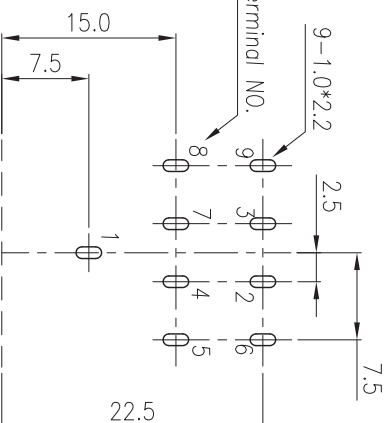
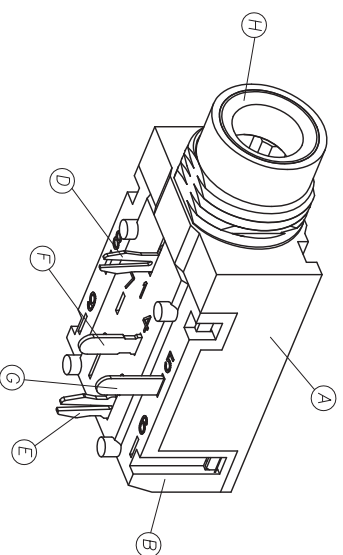
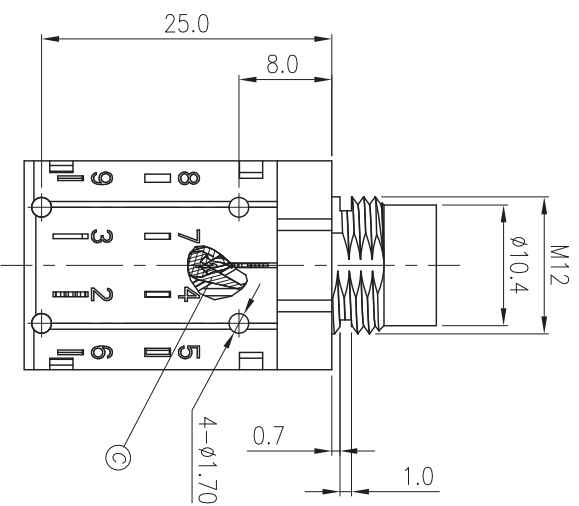


Schematic



RECOMMENDED PCB LAYOUT



SPECIFICATIONS:

1. ELECTRICAL CHARACTERISTICS:

- 1-1. RATING: AC 50V, 1.0A
 - 1-2. CONTACT RESISTANCE: 30 mΩ Max.
 - 1-3. INSULATION RESISTANCE: 100 MΩ Min.
 - 1-4. DIELECTRIC WITHSTANDING VOLTAGE: 500V RMS AFTER 1 MINUTE.
2. PART MUST COMPLY ROHS SPECIFICATION.

NO.	DESCRIPTION	QTY	MATERIAL	PLATING & COLOR
H	R/W	1	Brass (H59)	Ni
G	PIN-5	1	QSn6.5-0.1	Ag
F	PIN-4	1	Brass (H62)	Ag
E	PIN-2	1	QSn6.5-0.1	Ag
D	PIN-1	1	QSn6.5-0.1	Ag
C	INSULATION	2	POM	Block
B	COVER	1	PC	Block
A	HOUSING	1	PBT UL94V-0	Block

UNLESS OTHERWISE SPECIFIED TOLERANCES

大廣有限公司 DA KOANG CO., LTD.

DECIMALS:	ANGLES:	NAME	2044
X. :±0.50	X. :±3°	DWN	周炎
X.X :±0.30	X.X :±2'	CHKD	
X.XX :±0.20		APVD	

PART NO.	139-00240003
SCALE: 1:1	UNIT: MM
SIZE: A4	SHEET: 1 OF 1
	REV: A

CUSTOMER COPY

REV/ECN NO OR DESCRIPTION	REVISED	DATE
A	Zhouyan	2019.03.12