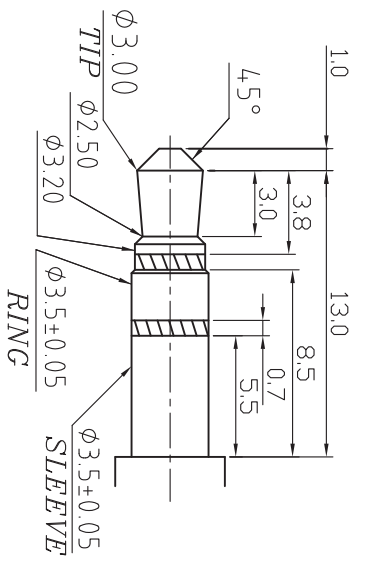
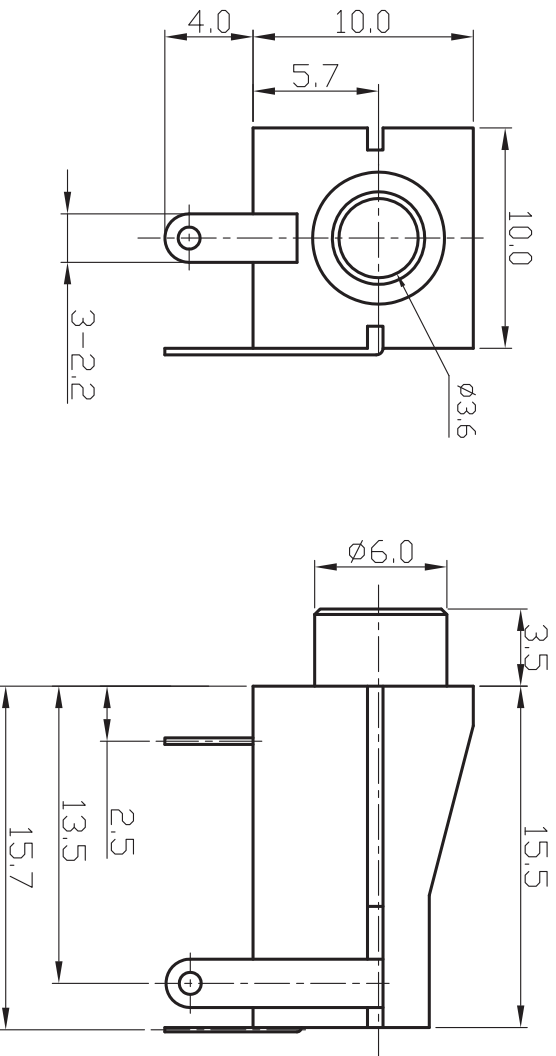


正式

ROHS
Compliant

變更記錄	變更日期	ECN NO.	REV.	說	明	繪
△						



PLUG

NO	PART NAME	Q'TY	MATERIAL	PLATING & COLOR
5	SLEEVE	1	BRASS	Sn
4	TIP SHUNT	1	BRASS	Sn
3	TIP	1	SM	Sn
2	BUSHING	1	COOPER ALLOY	Ni
1	HOUSING	1	PBT	BLACK

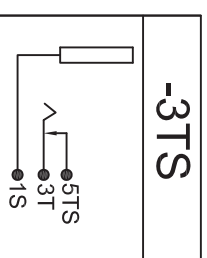
UNLESS OTHERWISE SPECIFIED TOLERANCES

DECIMALS :	±0.50
X	±0.30
X.X	±0.15
X.XX	±0.15
ANGLES :	±5°
X°	±3°
X.X°	±3°

大廣有限公司 DA KOANG CO., LTD.

PART NAME	3.5mm PHONE JACK	DRAWN DATE	2009.03.23
MATERIAL		APPROVED	Jacky
THICKNESS		CHECKED	Jacky
PLATED COLOR		DRAWN	Roy
SCALE :	3 : 1	SIZE :	A4
REV :	A	UNIT :	mm
		SHEET :	1 of 1

P.C.B LAYOUT
BOTTOM VIEW



-3TS

