

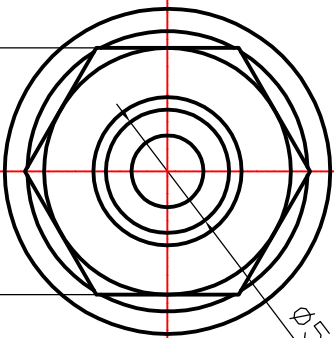
$\phi 14.5 \pm 0.1$

$\phi 13.7 \pm 0.1$

15.0 ± 0.2

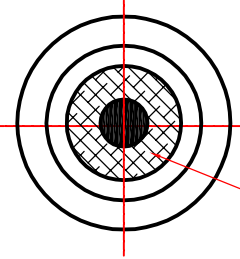
27.1 ± 0.5

$\phi 12.5 \pm 0.1$



H11.0

$\phi 5.5 \pm 0.05$



$\phi 2.2 \pm 0.1$

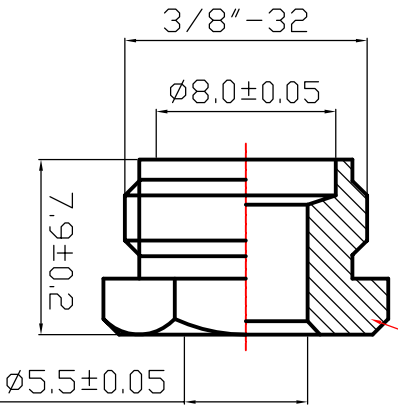
$\phi 1.3$

6.3 ± 0.1

23.7 ± 0.1

10.0 ± 0.1

$\phi 3.2 \pm 0.1$



3/8"-32

$\phi 8.0 \pm 0.05$

7.9 ± 0.2

$\phi 5.5 \pm 0.05$

6	MIDDLE BODY	BRASS	
5	PIN	BRASS	
4	BACK COVER	BRASS	
3	BODY	BRASS	
2	SHELL	Zn	
1	DIELECTRIC	POM	
ITEM	DESIGNATION	MATERIAL	
REV	PART NO. & SAMPLE NO.	DATE	BY
A	1148A		
B			

TOLERANCE	SIGNATURES	DATE
0 - 10 10 - 99 100 - 999 1000 - 9999 10000 - 99999	DRAFT: YangYongRui CHECKED: HuGongXue	06.07.04



SHEET

OF

APPROVAL:

SCALE

1:1

UNIT

mm

REV

ϕ

大廣有限公司
DA KOANG CO., LTD.

TITLE

BNC Male Clamp Type
(RG-58U)

CUSTOMER