

汽车开关

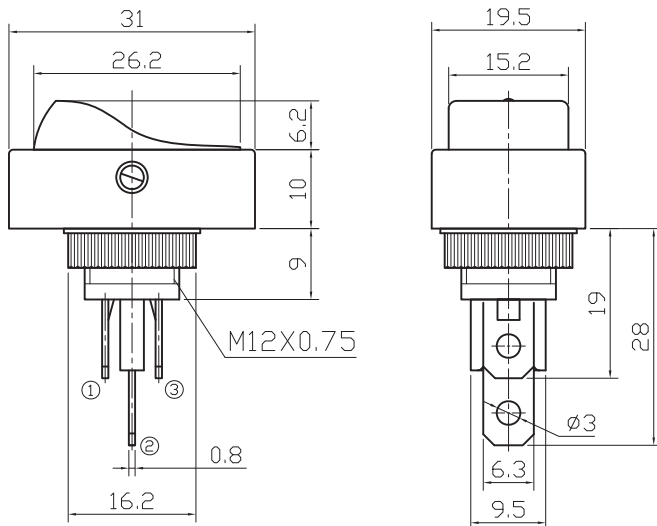
Automobile Switch

型号(TYPE):5175A

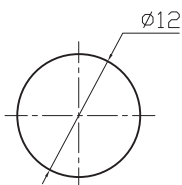
技术特性 (Specification)

1. 规格 (Rating):20A 12V DC
2. 接触电阻(Contact R):50mΩ max
3. 绝缘电阻(Insulation R):500V DC 100MΩ min
4. 耐电压 (Dielectric Strength):1 Minute 1500V AC
5. 操作温度(Operating Temperature):-25°C~+85°C
6. 电气寿命(Electrical Life):10, 000 Cycles

外型图 (Outline Drawing)



安装尺寸 (Mounting)



电路图 (Circuitry)

