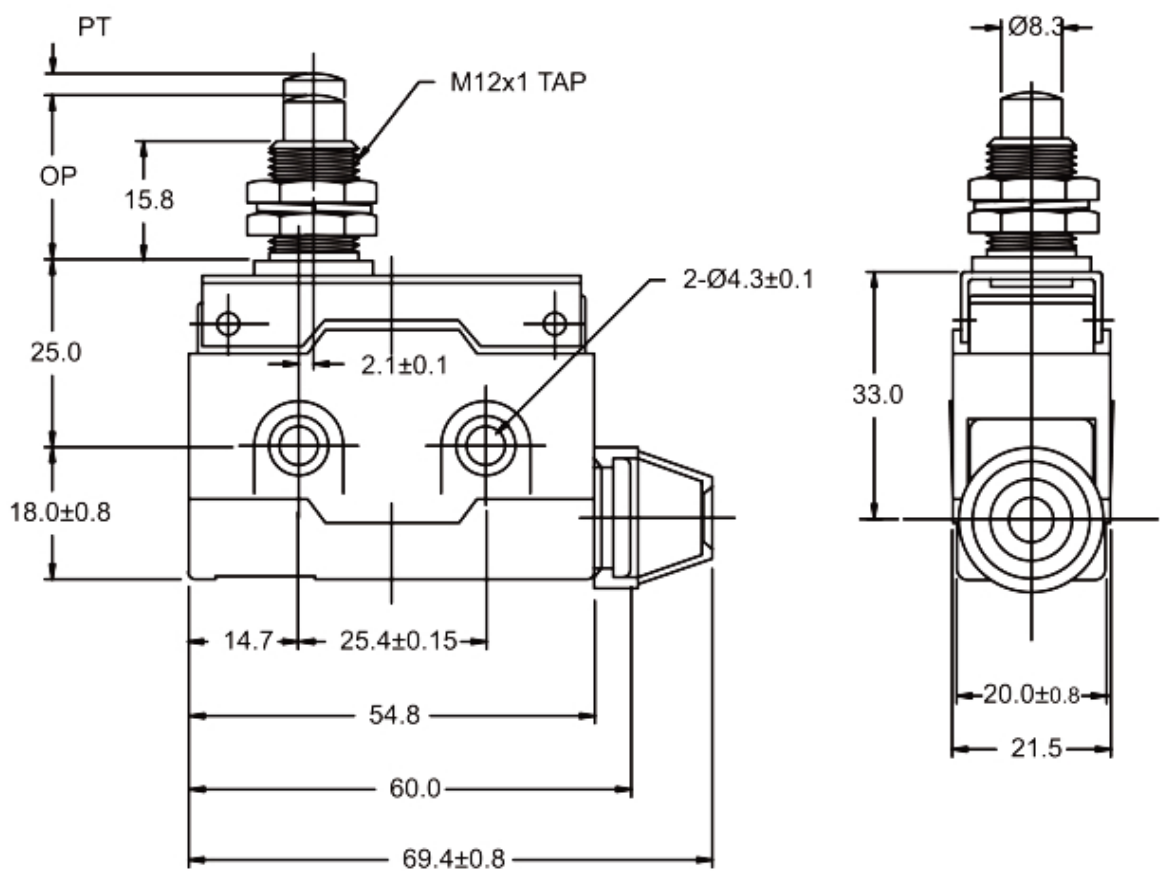


A B C D E



1
2
3
4
5
6

1
2
3
4
5
6

大廣有限公司 DA KOANG CO., LTD.

DATE	DWN	CHKD	APVD	MANAGER
------	-----	------	------	---------

12.08.2005

PART NAME: D COMPACT ENCLOSED SWITCH

PART NUMBER: 5300

VERSION: 2.0

TOLERANCE :±0.3mm UNLESS OTHERWISE SPECIFIED

UNIT:mm



SCALE:

A B C D E