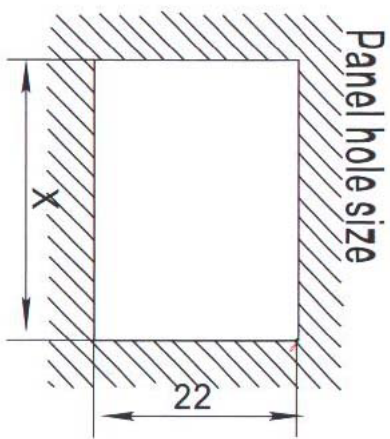


Panel hole size

Panel thickness	X
0.75-1.25	30.0
1.25-2.0	30.2
2.0-3.0	30.5



大廣有限公司 DAKOANG CO., LTD.

PART NAME: 4P ILLUMINATED ROCKER SWITCH

PART NUMBER: 5009G

VERSION: 4.0

DATE	DWN	CHKD	APVD	MANAGFR
12.26.2011				

TOLERANCE : ±0.3mm UNLESS OTHERWISE SPECIFIED

UNIT: mm



SCALE:

