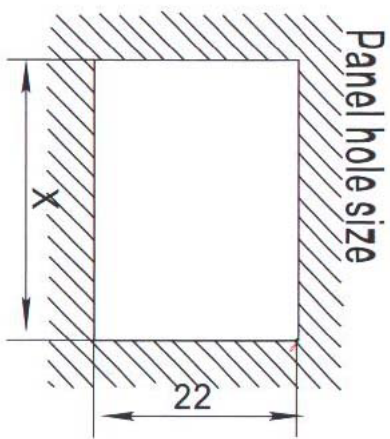


Panel hole size

Panel thickness	X
0.75-1.25	30.0
1.25-2.0	30.2
2.0-3.0	30.5



大廣有限公司 DAKOANG CO., LTD.

PART NAME: 4P ROCKER SWITCH

DATE	DWN	CHKD	APVD	MANAGFR
12.26.2011				

PART NUMBER: 5009H

VERSION:4.0

TOLERANCE :±0.3mm UNLESS OTHERWISE SPECIFIED

UNIT:mm



SCALE:

