

双刀带灯波动开关

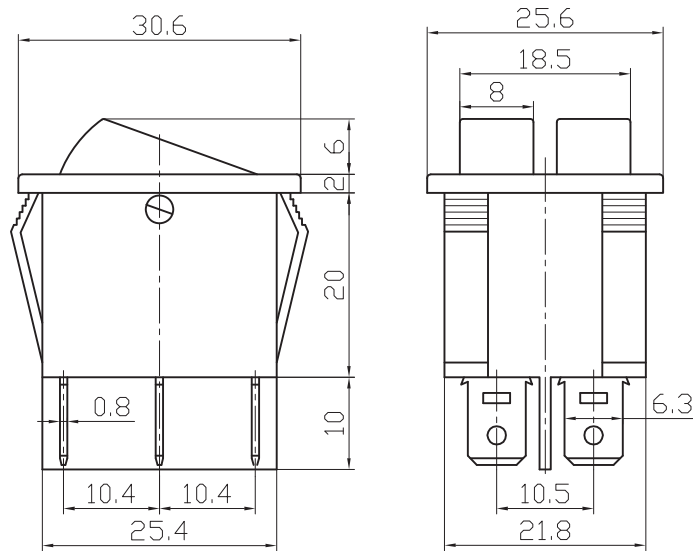
Double-poles Illuminated Rocker Switch

型号(TYPE): 5134-G/R

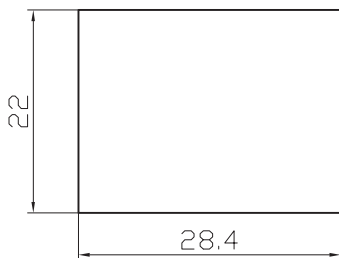
技术特性 (Specification)

1. 规格 (Rating): 20A 125V AC; 15A 250V AC; 35A 12V DC
2. 接触电阻(Contact R): 35mΩ max
3. 绝缘电阻(Insulation R): 500V DC 100MΩ min
4. 耐电压 (Dielectric Strength): 1 Minute 1500V AC
5. 操作温度(Operating Temperature): -25°C ~ +120°C
6. 电气寿命(Electrical Life): 10, 000 Cycles

外型图 (Outline Drawing)



安装尺寸 (Mounting)



电路图 (Circuitry)

