

按钮开关

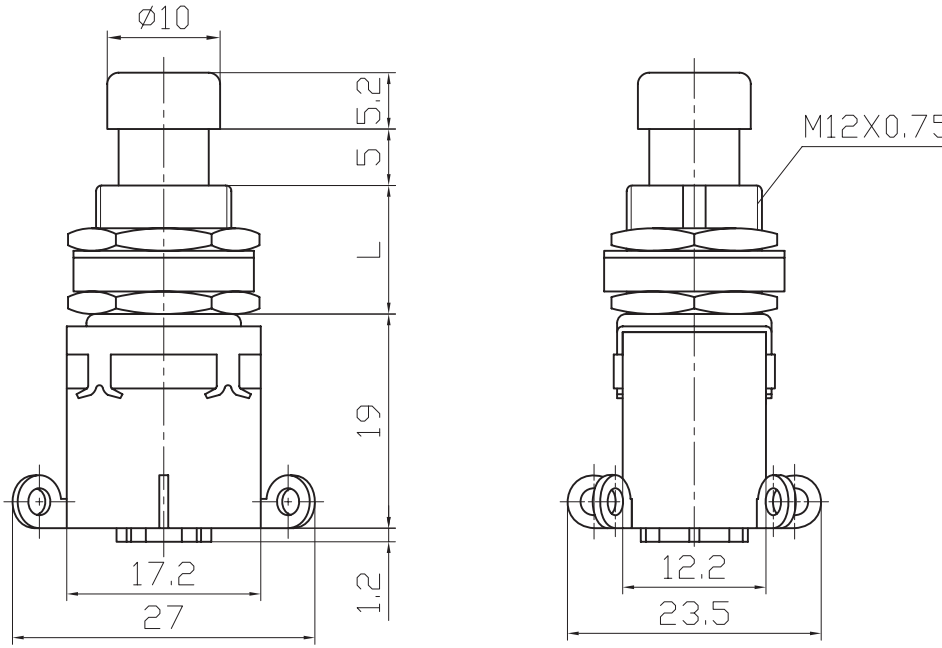
Push-Button Switch

型号<TYPE>: 5019G

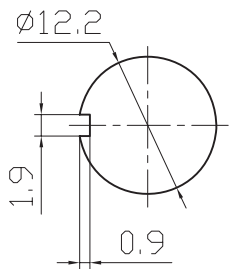
技术特性 (Specification)

1. 规格 (Rating): 4A 125V AC; 2A 250V AC
2. 接触电阻 (Contact R): 20mΩ max
3. 绝缘电阻 (Insulation R): 500V DC 100MΩ min
4. 耐电压 (Dielectric Strength): 1 Minute 1000V AC
5. 电气寿命 (Electrical Life): 10,000 Cycles
6. L=11.8

外型图 (Outline Drawing)



安装尺寸 (Mounting)



电路图 (Circuitry)

