

# 小型摇臂开关

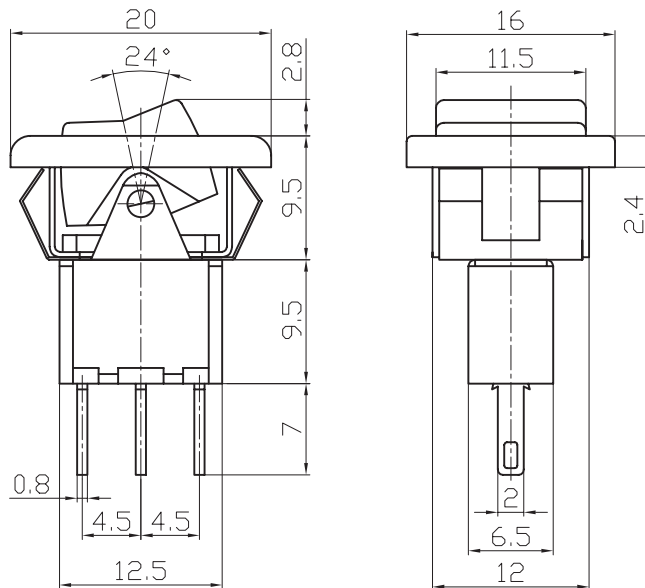
## Miniature Rocker and Lever handle Switch

型号(TYPE):5212

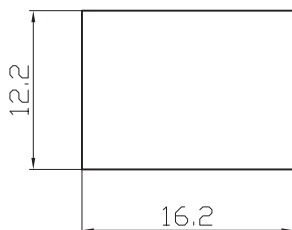
### 技术特性 (Specification)

1. 规格 (Rating):6A 125V AC; 3A 250V AC
2. 接触电阻(Contact R):20mΩ max
3. 绝缘电阻(Insulation R):500V DC 1000MΩ min
4. 耐电压 (Dielectric Strength):1 Minute 1500V AC
5. 操作温度(Operating Temperature):-25°C~+85°C
6. 电气寿命(Electrical Life):10, 000 Cycles

### 外型图 (Outline Drawing)



### 安装尺寸 (Mounting)



### 电路图 (Circuitry)

