

# 中型钮子开关

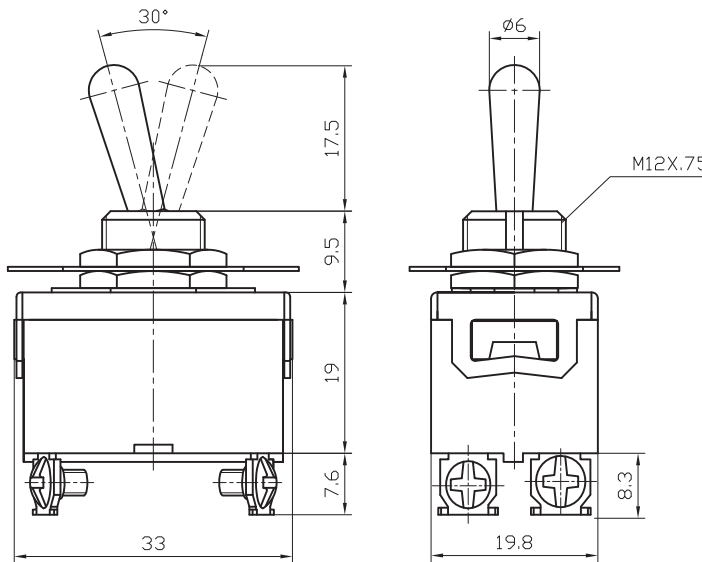
## Medium Toggle Switch

型号(TYPE): 5021-1

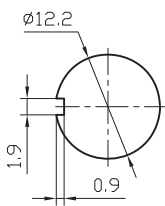
### 技术特性 (Specification)

- 规格 (Rating): 20A 125V AC; 15A 250V AC
- 接触电阻(Contact R): 50mΩ max
- 绝缘电阻(Insulation R): 500V DC 1000MΩ min
- 耐电压 (Dielectric Strength): 1 Minute 1500V AC
- 操作温度(Operating Temperature): -25°C ~ +85°C
- 电气寿命(Electrical Life): 10,000 Cycles

### 外型图 (Outline Drawing)



### 安装尺寸 (Mounting)



### 电路图 (Circuitry)

