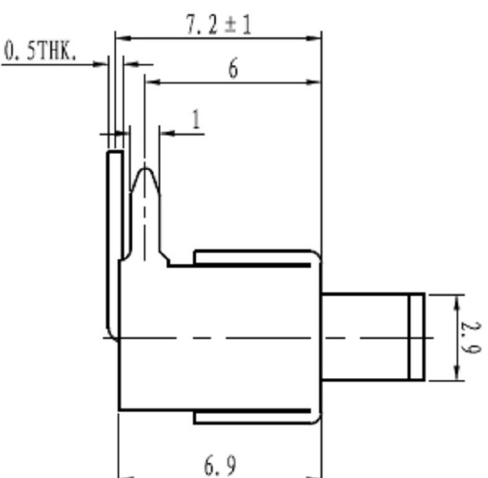
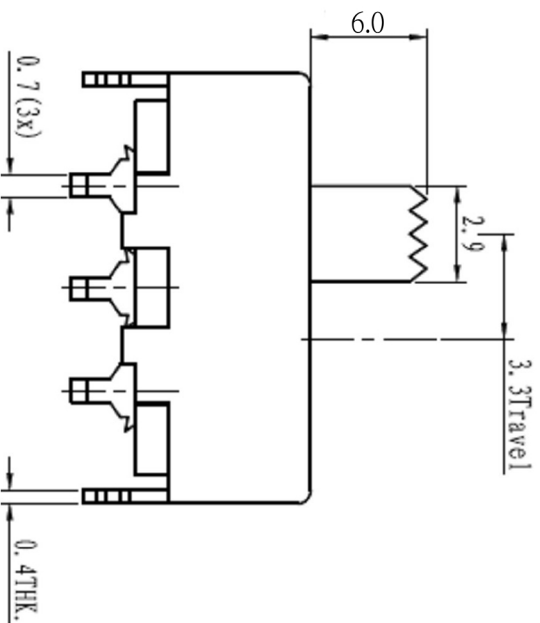
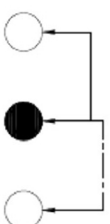


電氣原理圖



技術參數/Specification	
額定參數/Rating	0.5A 50V DC
電氣壽命 Electrical life	10000次
環境溫度 Temperature	-25 ~ 85°C
絕緣電阻 Insulation resistance	≥100MΩ (at500VDC)
接觸電阻 Contact resistance	≤50mΩ
操作力 Operating force	200 ± 100gf
耐電壓 Withstand Voltage	500VAC/10mA/5S
針腳/針腳 Terminal to Terminal	3000VAC/10mA/5S
針腳/手柄 Terminal to Knob	

TITLE	SLIDE SWITCH		SCALE	N/A	DRAWN BY	謝孟蓉	TOLERANCES UNLESS OTHERWISE	
MODEL NO.	5065		DIMENSION UNIT	m/m	APPROVED BY	許進勝	UP TO 10	±0.3
大廣有限公司 DA KOANG CO., LTD.					VERSION	A 0	ABOVE 10 TO 100	±0.5
					DATE		2012.04.23	ABOVE 100
					ANGULAR DIMENSIONS			±5°