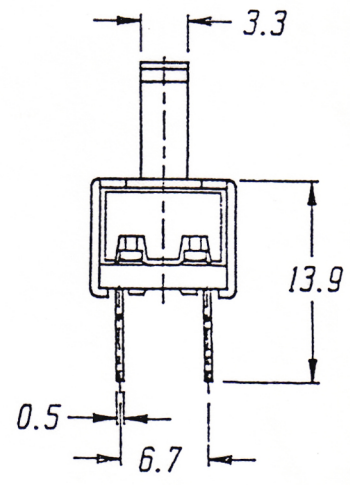
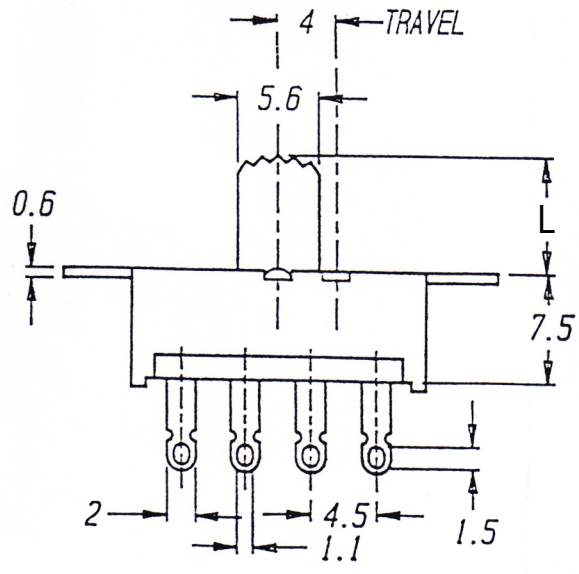


SCHEMATIC



L = 5, 9mm

大廣有限公司 DA KOANG CO., LTD.

DATE	DWN	CHKD	APVD	MANAGER
12.08.2005				

PART NAME: 8P SLIDE SWITCH (2P3T) ON-ON-ON

PART NUMBER: 5069A

VERSION:2.0

TOLERANCE :±0.3mm UNLESS OTHERWISE SPECIFIED

UNIT:mm



SCALE: