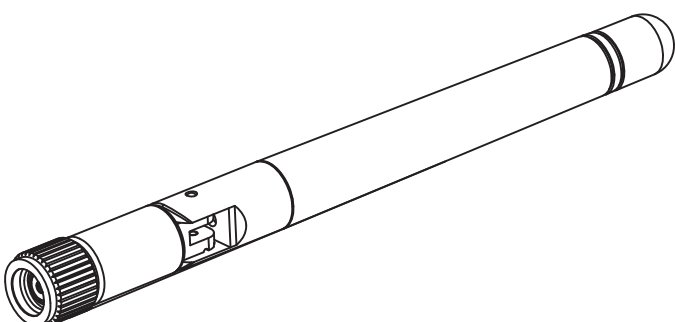
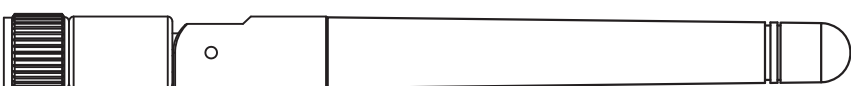
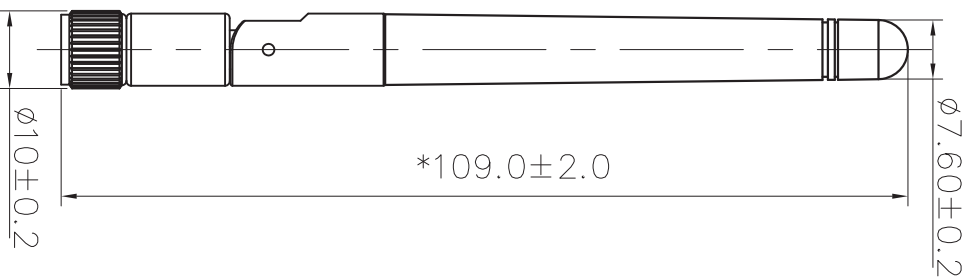
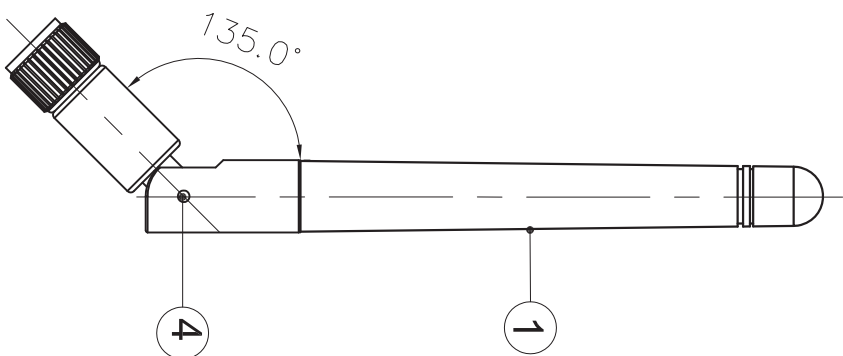
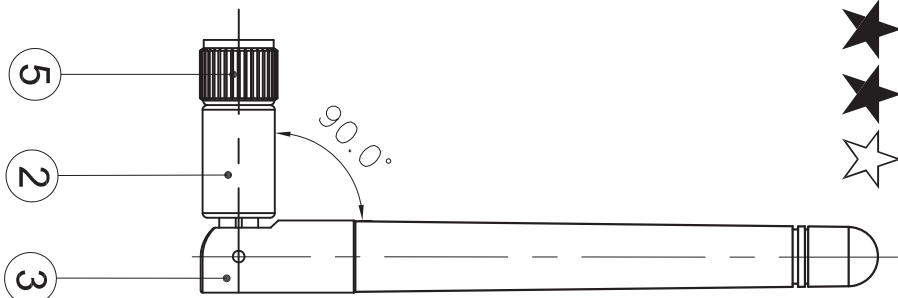


# RoHS

## Compatible



SIGN	DATE	DESCRIPTION	APPROVER
△			
△			
△			

Note:  
1. "Take" \* "is the important dimension.  
2. Tolerance: Unmarked tolerance refer to the standard tolerance please.

NO.	Part Number	Description	Material	Finished	Qty
5	SMA805-CBR5A56-E	SMA 公头母针	Cu	电镀	1
4	RVT-AN55-01PB	定位柱	POM	黑色	2
3	HINGE-AN57-01B	连接筒	ABS	黑色	1
2	BODY1-AN57-01B	连接头	ABS	黑色	1
1	BODY-AN57-01B	本体	TPE	黑色	1

大 廣 有 限 公 司 DA KOANG CO., LTD.					
TITLE: Antenna					
PART NO.: 7011			CUSTOMER P/N: /		
APP BY	CHK BY	RF BY	DES BY	Tolerance	
Grant	Jack	SF	HC	X.X	±0.5
2016/05/05	2016/05/05	2016/05/05	2016/05/05	X.XX	±0.2
				UNITS: mm	X°
				SCALE: 1/1	±1
				REVISION: A	