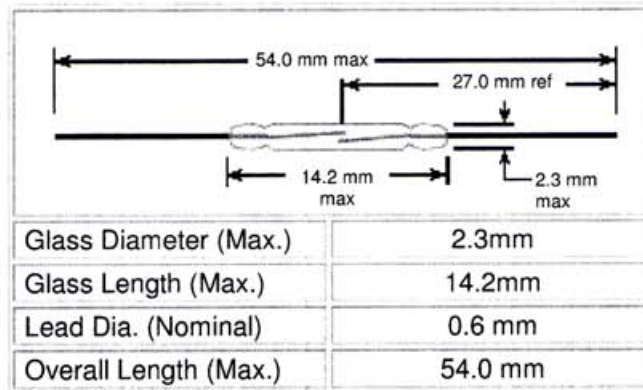


# 5049 Reed Switch 大廣有限公司 DA KOANG CO., LTD.

Applications – Commercial grade reed switch for cost sensitive applications in products such as toys & games

## Physical Characteristics



## Electrical Characteristics

Contact Arrangement	Form A (SPST), Centre Gap
Contact Material	Noble Metal
Power Rating <sup>1</sup>	5VA maximum
Switching Current (Max.)	0.5 Amp. DC, 0.5 Amp. AC
Carry Current (Max.)	1.0 Amp. DC, 1.0 Amp. AC
Switching Voltage (Max.)	100 VDC, 125 VAC
Breakdown Voltage (Min. @20AT) <sup>2</sup>	200 Volts DC
Contact Resistance <sup>3</sup>	250 Milliohms
Insulation Resistance (Min.)	10 <sup>9</sup> ohms
Contact Capacitance (pf Max.)	0.2 pf

- The specification for VA rating may sometimes be exceeded for less sensitive (higher AT) switches, and should be decreased for very sensitive (lower AT) switches. Standex Electronics will run life tests specific to a customers load upon request.
- Breakdown voltage is measured in the presence of a radioactive ionising source. Switch leakage current is limited to 100 microamperes.
- Contact resistance measurements are made at 10ma from a 1-volt source, with 50% overdrive, using a 4-wire (Kelvin) measuring system. Contact probes are located on 43 mm centres.

## Operating Characteristics

Magnetic Sensitivity (Range - Pull In)	10 to 100 Ampere Turns
Magnetic Senility (Range – Drop Out)	20 to 98% of Pull-In
Operate Time, including bounce (typ.)	1.0 Milliseconds
Release Time (typ.)	0.1 Milliseconds
Resonant Frequency (typ.)	3.0 kHz
Vibration, 10-2,000 Hz (G's Max.)	30 G
Shock, 11-ms. ½ Sine wave (G's Max.)	100 G
Operating Temperature	-40°C to + 125°C
Storage Temperature	-50°C to + 155°C